

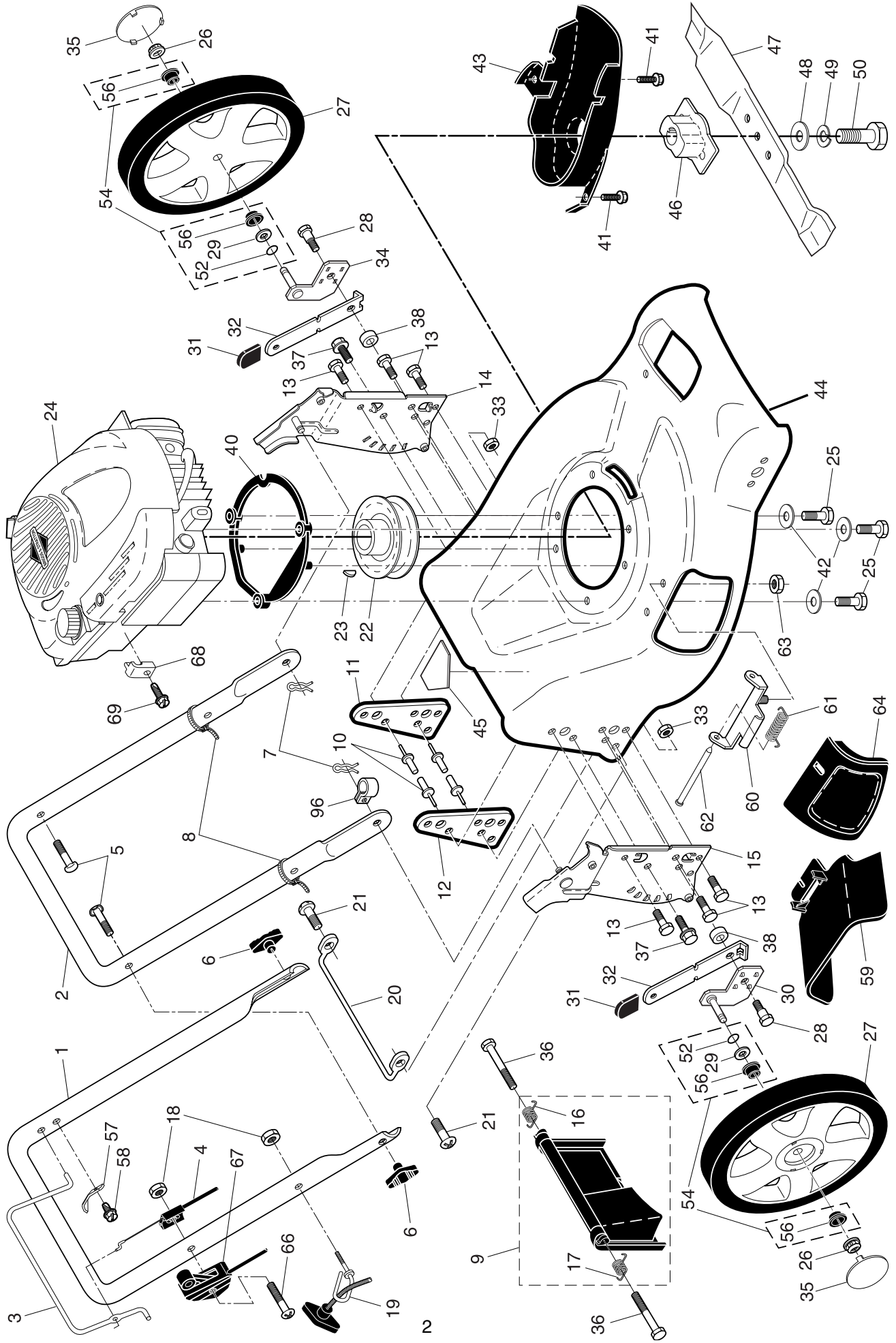
ILLUSTRATED PARTS LIST

CUSTOMER MODEL NUMBER P6553CMY

PRODUCT NUMBER 961 41 00-43

MFG. ID. NUMBER 96141004300

ROTARY LAWN MOWER - - CUSTOMER MODEL NO. P6553CMY (96141004300) PRODUCT NO. 961 41 00-43



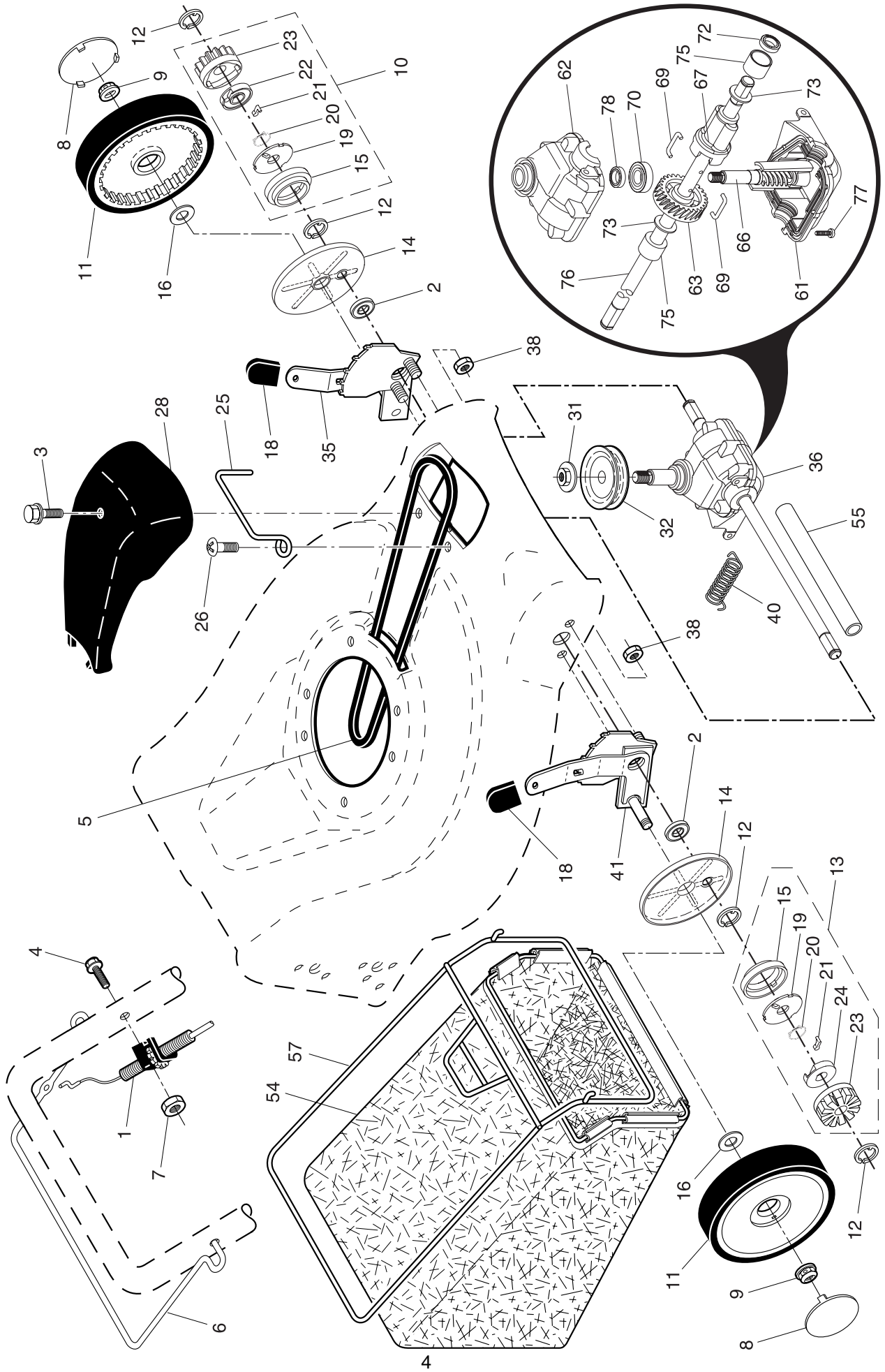
ROTARY LAWN MOWER - - CUSTOMER MODEL NO. P6553CMY (96141004300) PRODUCT NO. 961 41 00-43

KEY NO.	PART NO.	DESCRIPTION	KEY NO.	PART NO.	DESCRIPTION
1	532 19 56-75	Upper Handle	36	532 18 41-93	Bolt
2	532 15 36-05	Lower Handle	37	532 15 00-78	Thread Cutting Screw w/Sems 5/16-18 x 3/4
3	532 18 28-10	Control Bar	38	819 11 22-06	Spacer
4	532 13 31-07	Engine Zone Control Cable	40	532 70 13-13	Spacer, Engine
5	532 19 15-74	Handle Bolt	41	532 19 23-25	Screw
6	532 19 19-38	Handle Knob	42	532 05 39-98	Washer
7	532 05 17-93	Hairpin Cotter	43	532 18 70-38	Debris Shield
8	532 06 64-26	Wire Tie	44	532 19 52-51	Kit, Lawn Mower Housing (Includes Key Numbers 10, 11, 12 and 45)
9	532 18 04-79	Kit, Rear Door (Includes Key #16 and 17)	45	532 18 21-66	Danger Decal
10	532 12 84-15	Pop Rivet	46	532 18 80-41	Blade Adapter
11	532 18 25-38	Support Bracket, LH	47	532 17 50-52	Blade, 21"
12	532 18 25-39	Support Bracket, RH	48	532 85 10-74	Hardened Washer
13	817 06 04-10	Screw 1/4-20 x 5/8	49	532 85 02-63	Helical Washer 3/8-24 x 1-3/8 Grade 8
14	532 18 25-43	Handle Bracket Assembly, LH	50	532 17 96-17	Hex Head Machine Screw 3/8-24 x 1-3/8 Grade 8
15	532 18 25-45	Handle Bracket Assembly, RH	52	532 18 81-52	O-Ring
16	532 18 00-71	Spring, Rear Door, LH	54	532 19 34-98	Kit, Bushing, High Wheel
17	532 18 00-72	Spring, Rear Door, RH	56	532 19 36-96	Bushing, Nylon, Black
18	532 13 20-04	Keps Locknut 1/4-20	57	532 12 51-62	Upstop Bracket
19	532 17 95-85	Rope Guide	58	532 75 06-34	Screw
20	532 17 92-05	Foot Guard, C.E.	59	532 17 50-71	Discharge Deflector
21	532 05 45-83	Screw, Tapping 1/4-20 x 1/2	60	532 17 57-35	Hinge Bracket
22	532 18 50-05	Engine Pulley	61	532 17 52-85	Hinge Spring
23	532 18 77-23	Key, Hi-Pro	62	532 17 56-50	Hinge Rod
24	- - -	Engine, Briggs & Stratton, Model Number 123K02 (order parts from engine manufacturer)	63	873 80 04-00	Nut, Hex
25	532 85 09-99	Hex Head Thread Rolling Screw 3/8-16 x 1-1/8	64	532 17 50-66	Mulcher Door
26	532 08 39-23	Hex Flange Nut	66	532 18 33-65	Screw
27	532 18 17-85	Wheel & Tire Assembly	67	532 18 21-56	Throttle Control
28	532 16 08-28	Shoulder Bolt 5/16-18 x .33	68	532 19 09-03	Clamp, Cable
29	532 08 83-48	Washer, Flat 3/8	69	532 08 38-16	Screw, Cable Clamp
30	532 18 25-41	Axle Arm Assembly, Rear, RH	96	532 19 27-70	Clip, Cable
31	532 17 54-77	Selector Knob	- -	532 19 62-77	Operator's Manual, European
32	532 18 25-37	Selector Spring	- -	532 19 62-78	Operator's Manual, Scandinavian
33	873 80 05-00	Nut 5/16-18			
34	532 18 25-42	Axle Arm Assembly, Rear, LH			
35	532 19 25-19	Hubcap			

NOTE: All component dimensions given in U.S. inches.
1 inch = 25.4 mm

IMPORTANT: Use only Original Equipment Manufacturer (O.E.M.) replacement parts. Failure to do so could be hazardous, damage your lawn mower and void your warranty.

ROTARY LAWN MOWER - - CUSTOMER MODEL NO. P6553CMY (96141004300) PRODUCT NO. 961 41 00-43



ROTARY LAWN MOWER - - CUSTOMER MODEL NO. P6553CMY (96141004300) PRODUCT NO. 961 41 00-43

KEY NO.	PART NO.	DESCRIPTION	KEY NO.	PART NO.	DESCRIPTION
1	532 18 91-82	Drive Control Assembly, with Cable	35	532 18 09-15	Kit, Wheel Adjuster, LH (Includes Knob and Bearing)
2	532 16 99-11	Bearing, Wheel Adjuster	36	532 18 72-12	Gearcase Assembly, Complete
3	532 17 52-62	Pan Head Tapping Screw #10-24 x 2-3/4	38	873 80 04-00	Locknut 1/4-20
4	532 18 56-81	Hex Washer Head Screw 1/4-20 x 2.12	40	532 18 22-26	Spring
5	532 16 97-78	V-Belt	41	532 18 09-14	Kit, Wheel Adjuster, RH (Includes Knob and Bearing)
6	532 19 09-99	Control Bar, Drive	54	532 19 48-53	Grassbag
7	532 75 11-52	Locknut, Hex #10-24	55	532 17 57-39	Driveshaft Cover
8	532 16 43-78	Hubcap	57	532 18 88-15	Frame, Grassbag
9	532 14 52-12	Locknut	61	532 18 75-25 *	Case, Lower
10	532 18 83-31	Pinion Assembly, LH	62	532 18 75-26 *	Case, Upper
11	532 18 07-67	Wheel & Tire Assembly	63	532 18 34-99	Gear, 27 Teeth
12	812 00 00-58	E-Ring	66	532 18 75-27	Shaft, Input
13	532 18 83-30	Pinion Assembly, RH	67	532 18 75-28	Spacer
14	532 18 94-03	Dust Cover	69	532 18 35-05	Wire, Formed
15	532 18 41-72	Seal, Friction	70	532 18 35-06	Bearing, Ball
16	532 06 77-25	Washer 1/2 x 1-1/2 x .134	72	532 18 35-08	Seal, Output Shaft
18	532 08 78-77	Selector Knob	73	532 18 35-09	Washer
19	532 17 51-04	Disk, Drive	75	532 18 35-11	Bushing
20	532 18 82-91	Spring, Torsion	76	532 18 75-29	Shaft, Output
21	532 17 50-98	Pawl	77	532 18 35-13	Screw
22	532 17 51-05	Retainer, Drive, LH	78	532 18 35-14	Seal, Input Shaft
23	532 17 51-03	Gear, Pinion			
24	532 17 51-02	Retainer, Drive, RH			
25	532 18 81-02	Belt Keeper			
26	532 17 37-15	Screw			
28	532 18 14-68	Drive Cover			
31	532 13 20-10	Hex Flange Nut			
32	532 18 94-06	Drive Pulley			

* Use Dow Corning #709 to reseal Gear Case Halves.

NOTE: All component dimensions given in U.S. inches.
1 inch = 25.4 mm

IMPORTANT: Use only Original Equipment Manufacturer (O.E.M.) replacement parts. Failure to do so could be hazardous, damage your lawn mower and void your warranty.